



MSTronic Co., Ltd.

2F, 12, Gongshang Rd., Wugu District, New Taipei City, 248 Taiwan

TEL:886-2-2293-0159 FAX:886-2-2292-8851

E.MAIL: mse@mse.com.tw
WEB: <http://www.mse.com.tw>

SPECIFICATION

MIT-33G-56B1N

Gigabit PoE Injector

1. INPUT :

- 1.1 Input Voltage: AC 100V ~ 240V @120V/230V
- 1.2 Input Frequency : 47 ~ 63hz
- 1.3 Input Current: 0.75A at 120Vac @F.L
0.39A at 230Vac
- 1.4 Inrush current: 25A Max at 120Vac & 50A Max at 230Vac

2. OUTPUT :

2.1 Output Voltage & Current:

OUTPUT	+56V
Max. load	0.625A
Power	35W Max
Min. Load	0A
Load reg. %	5%
Line reg. %	1%
Ripple %	1%
Noise %	2%

TOTAL POWER : 60 W

Note 1: Ripple & Noise bandwidth is from DC to 20Mhz. Terminated With a 47uF Capacitor and 0.1uf MPE Capacitor of Proper Polarity.

3. EFFICIENCY : 81% min. at AC 120V ~ 230V Input @F.L

4. PROTECTION

4.1 Short Circuit Protection

output Short GND Terminal will not damage the Power Supply will Auto Recover when Load status going to normally.

4.2 Over Voltage Protection : 59V ~ 63V

4.3 Over Current Limits : 150% ~ 200% @100V ~ 240Vac

4.4 Input with Fuse Protection

5. EMC : Meet FCC Class B EN55032 Class B

5.1 SAFETY STANDARD : Meet UL1950, CSA 22.2 &TUV EN60950-1



MSTronic Co., Ltd.

2F, 12, Gongshang Rd., Wugu District, New Taipei City, 248 Taiwan

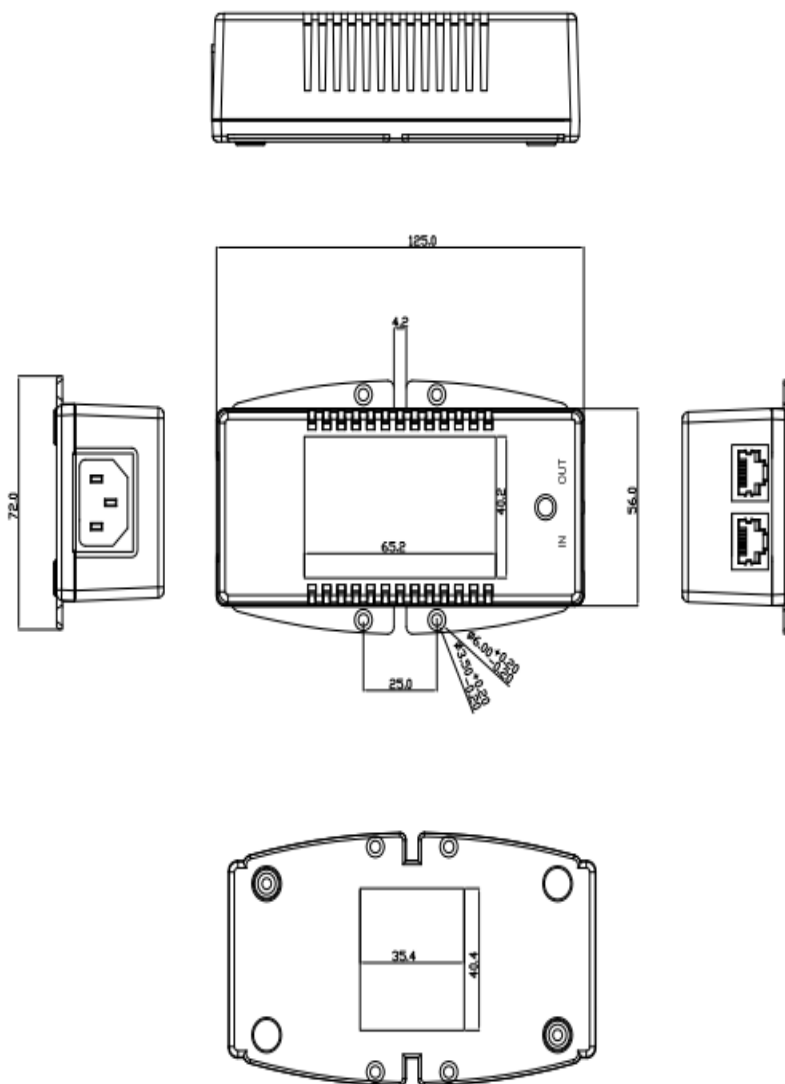
TEL:886-2-2293-0159 FAX:886-2-2292-8851

E.MAIL: mse@mse.com.tw

WEB: <http://www.mse.com.tw>

6. GENERAL DESCRIPTION

- 6.1 Operation Temperature: -40 - +70 Degree
- 6.2 Storage Temperature: -40 - +85 Degree
- 6.3 Operation Humidity: 5% - 90%
- 6.4 Cooling: Free air cooling
- 6.5 SIZE 125*72*38 (L*W*H)
- 6.6 DIN rail mountable by clip kit (option)





MSTronic Co., Ltd.

2F, 12, Gongshang Rd., Wugu District, New Taipei City, 248 Taiwan

TEL:886-2-2293-0159 FAX:886-2-2292-8851

E.MAIL: mse@mse.com.tw

WEB: <http://www.mse.com.tw>

7. RJ45 Connected and pin out: @1000MBASE

RJ-45 Input (Data Only)			RJ-45 Output (Data & Power)	
Pin	Symbol	Description	Symbol	Description
1	BI_DA+	Data Pair A+	BI_DA+	Data Pair A+
2	BI_DA-	Data Pair A-	BI_DA-	Data Pair A-
3	BI_DB+	Data Pair B+	BI_DB+	Data Pair B+
4	BI_DC+	Data Pair C+	+Vdc + BI_DC+	power(+)+Data Pair C+
5	BI_DC-	Data Pair C-	+Vdc + BI_DC-	power(+)+Data Pair C-
6	BI_DB-	Data Pair B-	BI_DB-	Data Pair B-
7	BI_DD+	Data Pair D+	-Vdc + BI_DD+	power(-)+Data Pair D+
8	BI_DD-	Data Pair D-	-Vdc + BI_DD-	power(-)+Data Pair D-

8. Indicator:

LED (GREEN) indicates POE Output OK